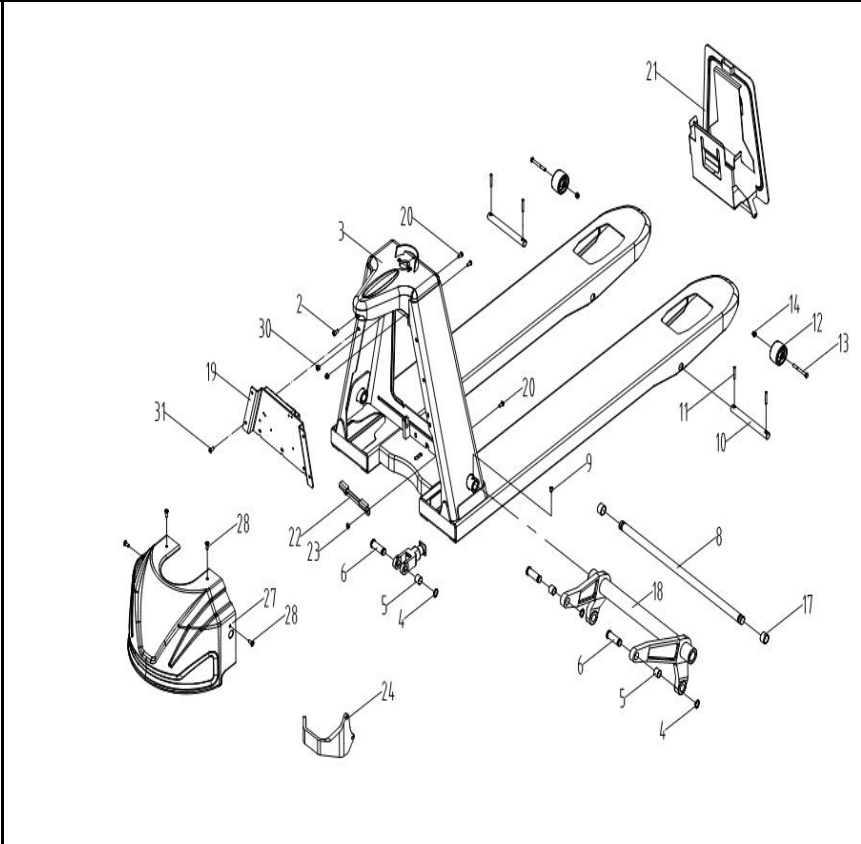


Contents

1	
1.01	Frame assembly
1.02	Locking assembly
2	
2.01	Electrical system
2.02	Control harness assembly
2.03	Control harness
2.04	Tiller head
3	
3.01	Hydraulic system
3.02	Pump assembly
3.03	Motor pump assembly
3.04	Gear pump
4	
4.01	Underslung drive wheel assembly
5	
5.01	Steering gear assembly
5.02	Handlebar assembly
5.03	Handle assembly
6	
6.01	Connecting Rod Wheel Carriage Assembly

Revision Date:	Frame assembly (CBD15/01T-00)	ex No.: 1.01
2025/7/15		



No.	Part No.	Name	Qty	Length	Width	Height	Weight(kg)	Remark
2	41100000037	Screw M6x12	1	0.1	0.1	0.1	0.01	
3	30701006629	Frame assembly	1	152	68.5	64	100	
4	41305000008	Snap ring 16	4	0.2	0.2	0.1	0.01	
5	43100000018	SF-1-16.16 Self-lubricating bearing	4	1.8	1.8	1.6	0.01	

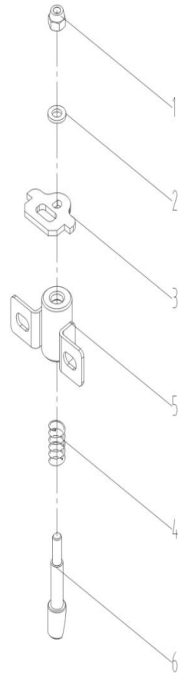
6	21703000075	Stepped shaft	4	5.2	2	2	0.08	
7	N/A	N/A	0	5.08	5.08	5.08	0.1	
8	21701000117	Grooved pin shaft	1	65.6	2	2	1.58	L=656
9	41107000003	Screw M8x10	1	1	0.7	0.7	0.01	
10	21702000031	Drilled pin shaft	2	8.6	1.9	1.9	0.21	
11	41402000022	Pin 5x32	4	3.2	0.5	0.5	0.01	
12	21312000094	Wheel	2	5	5	3.8	0.03	
13	41001000003	Bolt M6x55	2	5.9	1.1	1	0.01	
14	41208000005	Nut M6	2	1	0.9	0.5	0.01	
15	N/A	N/A	0	5.08	5.08	5.08	0.1	
16	N/A	N/A	0	5.08	5.08	5.08	0.1	
17	43100000031	SF-1-20.15 Self-lubricating bearing	2	2.2	2.2	2	0.01	
18	31601000156	Rocker arm assembly	1	56.5	24.8	13.8	6.31	
19	22003003198	Bent plate	1	37.8	15.5	2.5	11.4	
20	41101000009	Screw M6x16	4	5.9	2.5	2.1	0.08	
21	30703000055	Cover plate assembly	1	40	30	10	3.71	
22	22003001708	Bent plate	1	12.1	3.5	2.8	0.07	
23	41218000001	Nut M6	2	0.2	0.1	0.1	0.01	
24	22003001709	Bent plate	1	18.4	9.5	8.1	0.63	
25	N/A	N/A	0	5.08	5.08	5.08	0.1	
26	N/A	N/A	0	5.08	5.08	5.08	0.1	
27	22004000388	Enclosure panel	1	7	5	5	0.3	
28	41102000002	Screw M6x16	4	0.2	0.1	0.1	0.01	
29	N/A	N/A	0	5.08	5.08	5.08	0.1	
30	41208000005	Nut M6	2	1	0.9	0.5	0.01	
31	41101000008	Screw M6x12	4	1.9	1.1	1.1	0.01	

Revision Date:

2025/7/15

Locking assembly (CBD15/Y.22-00)

Index
No.:
See:
31128



No.	Part No.	Name	Qty	Length	Width	Height	Weight(kg)	Remark
-----	----------	------	-----	--------	-------	--------	------------	--------

A	31128000017	Locking assembly	1	7	6
1	41208000005	Nut M6	1	1	0.9
2	41301000004	Washer 6	1	0.1	0.1
3	21920002708	Profiled plate	1	3	2
4	21605000115	Compression spring	1	2.3	1.1
5	31115000132	Bracket assembly	1	3	2
6	21703000792	Stepped shaft	1	10	3

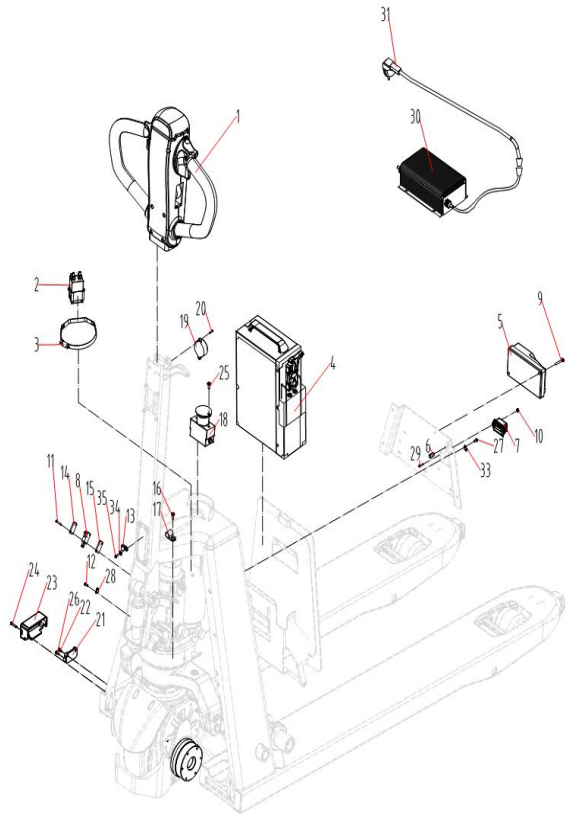
2.8	0.11	INC:1~6
0.5	0.01	
0.2	0.01	
1	0.1	
1.1	0.01	
1	0.1	
3	0.6	

Revision Date:

2025/7/15

Electrical system (CBD15.01C-00)

Index
No.:
See:
30101



No.	Part No.	Name	Qty	Length	Width	Height	Weight(kg)	Remark
-----	----------	------	-----	--------	-------	--------	------------	--------

1	30910000030	Tiller head	1	32.4	16.9
2	35902000034	Contactora	1	6.1	5.3
3	21009000044	Clamp	1	9.8	9
4	35304000179	Li-battery(NEW)	1	27.5	18.2
5	35105000049	Controller	1	13.2	7.2
6	20422000001	Diode holder	1	1.7	1.4
7	35503000072	Instrument (NEW)	1	5.3	3
8	35612000009	Micro switch	1	4	3
9	41134000012	Screw M4x25	2	2.7	0.8
10	41200000001	Nut M3	2	0.6	0.5
11	41134000002	Screw M3x25	2	0.3	0.1
12	41108000011	Screw M4x8	1	1.1	0.7
13	21006000009	Retaining clip	1	2.2	1.3
14	21912000035	Separator	1	0.3	0.2
15	21910000082	Mounting plate	1	0.3	0.2
16	41108000026	Screw M5x8	1	1.1	1
17	21006000013	Retaining clip	1	2.2	1.3
18	35601000006	Emergency stop switch	1	8.1	8
19	35703000023	Alarm	1	6.1	4.2
20	41108000003	Screw M3x8	2	1	0.5
21	20431000006	Junction box	1	4.2	2.7
22	41108000013	Screw M4x10	2	0.7	0.7
23	20504000008	Parts tray	1	8.5	4.5
24	41108000022	Screw M4x30	2	3.2	0.8
25	41109000015	Screw M5x12	2	1.2	0.9
26	41134000005	Screw M4x10	2	1.2	0.8
27	41108000010	Screw M4x6	1	0.9	0.8
28	21006000011	Retaining clip	1	2.9	1.6

9.2	0.92	With turtle
5.3	0.19	
1.2	0.02	
8.9	5.55	
3.9	0.3	
1.1	0.01	
2.4	0.02	
2	0.01	
0.8	0.01	
0.2	0.01	
0.1	0.01	
0.7	0.01	
1.3	0.01	
0.2	0.01	
0.2	0.01	
1	0.01	
1.3	0.01	
3.2	0.14	
1.6	0.01	
0.5	0.01	
1.2	0.01	
0.2	0.01	
3.7	0.04	
0.8	0.01	
0.9	0.01	
0.8	0.01	
0.8	0.01	
1.2	0.01	

29	41108000058	Screw M3x25	2	3.2	0.6
30	35206000167	Charger	1	30	17
31	20413000025	Power cable	1	23	4
32	N/A	N/A	0	5.08	5.08
33	21006000027	Fixing buckle	1	5.08	5.08
34	41301000002	Washer 4	1	0.9	0.9

35 41108000009 Screw M4x6 1 0.1 0.1

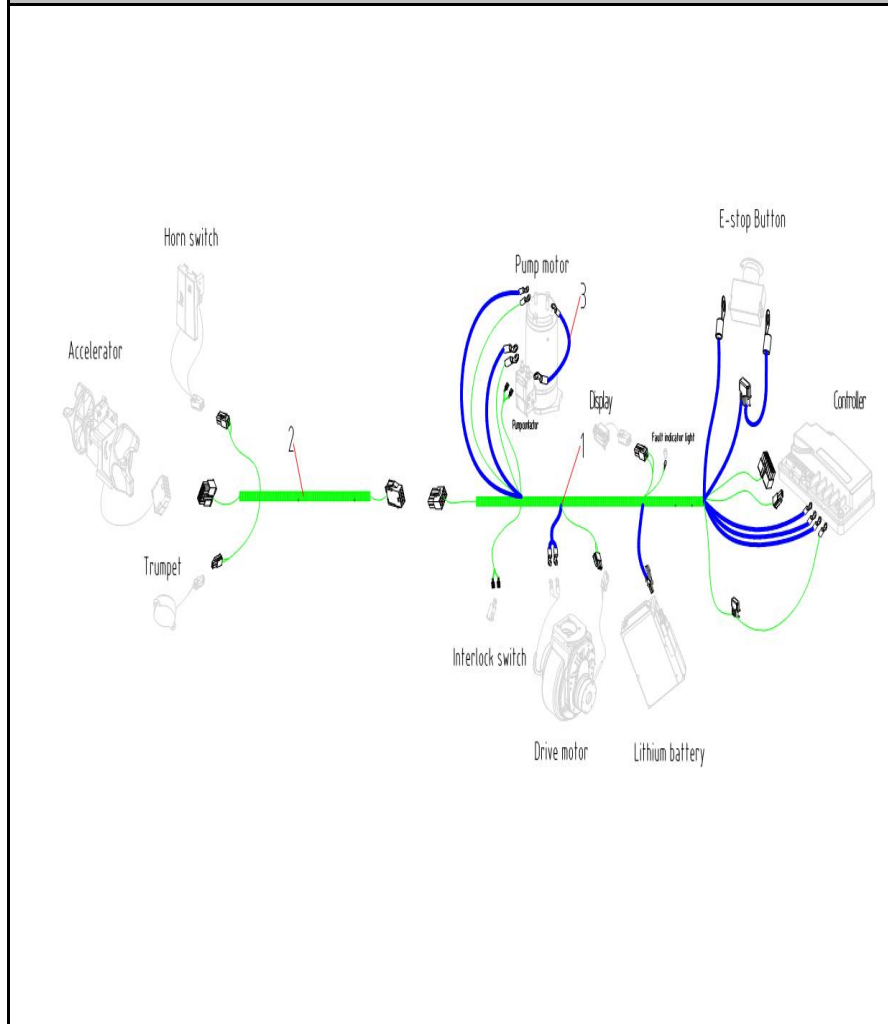
0.6	0.01	
9	0.83	
4	0.15	
5.08	0.1	
5.08	0.1	
0.1	0.01	
0.1	0.01	

Revision Date:

2025/7/15

Control harness assembly (CBD15.01C.02-00)

Index
No:
See:
30103



No.	Part No.	Name	Qty	Length	Width	Height	Weight(kg)	Remark
-----	----------	------	-----	--------	-------	--------	------------	--------

1	35401000757	Control harness	1	30	30
2	35401000399	Control harness	1	18	12
3	35404000058	Power cable	1	22	3

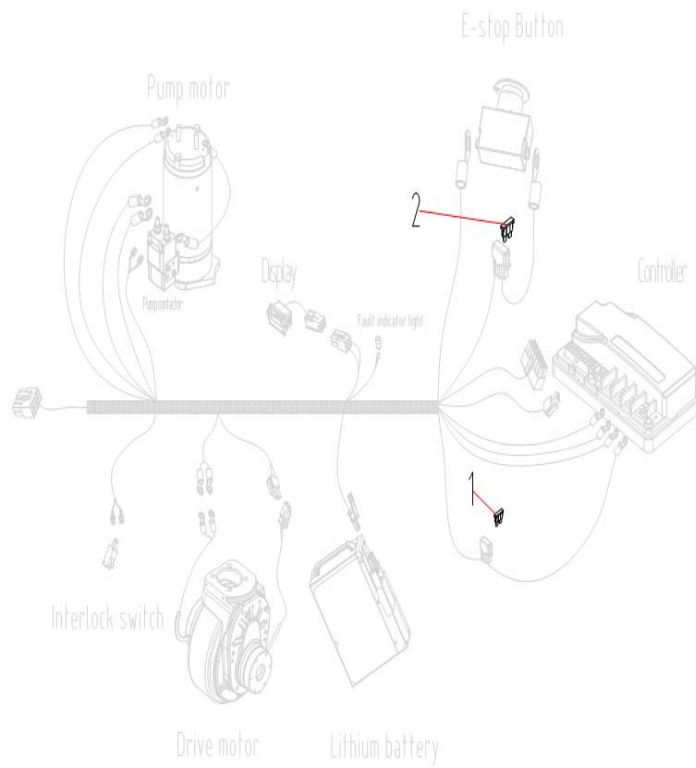
8	0.74	Body control
12	0.05	Handle control
2.3	0.03	

Revision Date:

2025/7/15

Control harness (CBD15.01A.02-03)

Index
No.:
See:
35401



No.	Part No.	Name	Qty	Length	Width	Height	Weight(kg)	Remark
-----	----------	------	-----	--------	-------	--------	------------	--------

1	20416000011	Fuse	1	3	3
2	20416000020	Fuse	1	3	3

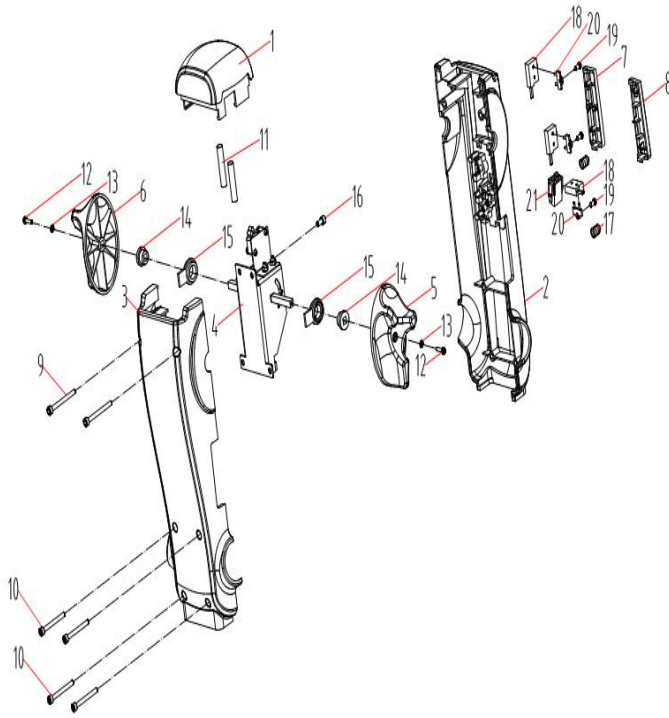
1	0.1	
1	0.1	

Revision Date:

2025/7/15

Tiller head (740.01.0010.01)

Index
No.:
See:
30910



No.	Part No.	Name	Qty	Length	Width	Height	Weight(kg)	Remark
A	30910000030	Tiller head	1	32.4	16.9	9.2	0.92	INC:1~21

1	20403000002	Emergency reverse button	1	10	8
2	30916000013	Top cover assembly	1	30.1	12.8
3	30917000003	Lower cover assembly	1	30.1	12.8
4	35501000008	Accelerator assembly	1	12.7	12.2
5	20409000001	Right-hand wing knob	1	9	6
6	20409000004	Left-hand wing knob	1	9	6
7	20401000005	Button	1	9	6
8	20407000002	Horn button	1	7.5	2.1
9	41100000213	Screw M4x35	2	3.8	0.7
10	41100000015	Screw M4x50	4	5.3	0.7
11	21605000052	Compression spring	2	2.1	0.9
12	41108000004	Screw M3x12	2	1.4	0.6
13	41313000001	Washer 3	2	6	6
14	21808000031	Bushing	2	1.6	1
15	21816000005	Sleeve	2	3.3	2.3
16	41134000004	Screw M4x8	4	1.1	0.7
17	21605000053	Compression spring	4	0.1	0.1
18	35612000017	Micro switch	3	0.8	0.2
19	41113000003	Screw ST2.9x6.5	3	0.1	0.1
20	20418000021	Insert plate	3	0.2	0.1
21	35402000044	Connector	1	5	3

4.8	0.05	
1.6	0.27	
4.6	0.27	
4.5	0.23	
3.8	0.03	
3.8	0.23	
3.8	0.03	
1.4	0.01	
0.7	0.01	
0.7	0.01	
0.9	0.01	
0.6	0.01	
1	0.01	
0.9	0.02	
0.9	0.01	
0.7	0.01	
0.1	0.01	
0.1	0.01	
0.1	0.01	
0.2	0.01	
2	0.02	

Revision Date:

2025/7/15

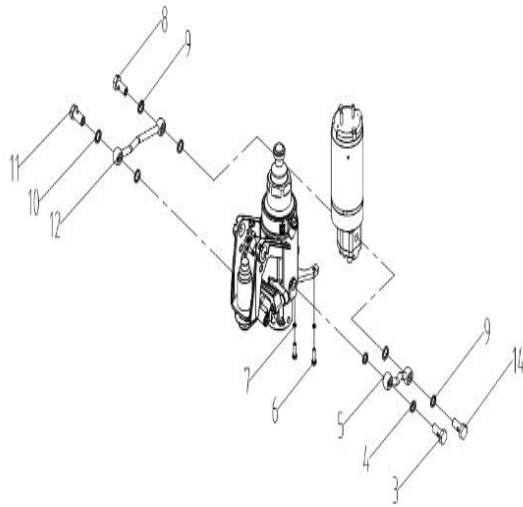
Hydraulic system (CBD15.02A-00)

Index

No.:

See:

30201



No.	Part No.	Name	Qty	Length	Width	Height	Weight(kg)	Remark
-----	----------	------	-----	--------	-------	--------	------------	--------

3	20313000165	Coupling	1	3.1	2
4	44007000026	Combined washer 12	2	1.8	1.8
5	31015000138	Rigid tube assembly	1	13.2	2.3
6	41002000007	Bolt M6x20	2	2.4	1.2
7	41300000004	Washer 6	2	0.1	0.1
8	20313000178	Coupling	1	3.1	2.2
9	44007000022	Combined washer G1/4	4	2.1	2.1
10	44007000008	Combined washer 14	2	2	2
11	20313000167	Coupling	1	3.5	1.9
12	31015000139	Rigid tube assembly	1	8.5	2.6
13	N/A	N/A	0	5.08	5.08
14	20313000251	Coupling	1	4.1	2.4

1.8	0.03	
0.2	0.01	
1.5	0.07	
1	0.01	
0.3	0.01	
1.9	0.04	
0.1	0.01	
0.2	0.01	
2.2	0.04	
1.5	0.1	
5.08	0.1	
2.1	0.04	

Revision Date:

2025/7/15

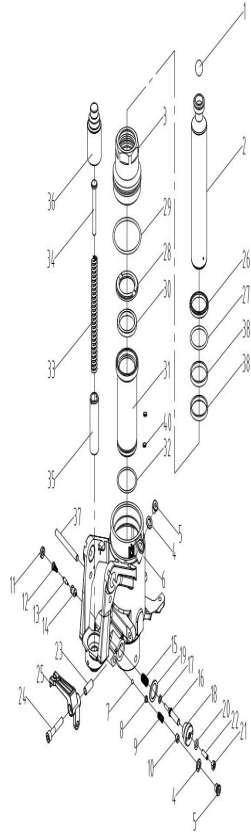
Pump assembly (490.03.1400.02)

Index

No.:

See:

31001



No.	Part No.	Name	Qty	Length	Width	Height	Weight(kg)	Remark
-----	----------	------	-----	--------	-------	--------	------------	--------

A	31001000305	Pump assembly	1	29.6	11.8
1	40002000017	Steel ball 19.05	1	1.9	1.9
2	20304000231	Piston rod	1	20	4
3	20307000024	Cylinder cap	1	10	10
4	44007000003	Combined washer 10	2	1.6	1.6
5	20104000007	Screw plug	2	1.9	1.9
6	21205000103	Base frame	1	20	11.8
7	40002000006	Steel ball 5	1	0.5	0.5
8	21210000006	Ball seat	1	0.8	0.8
9	21605000087	Compression spring	1	2	1
10	20101000032	Screw	1	1	1
11	20101000038	Screw	1	3.7	1
12	21605000046	Compression spring	1	2	1.6
13	20213000003	Valve spool	1	1.9	0.4
14	20212000006	Valve body	1	1.6	1
15	21605000054	Compression spring	1	2.5	1
16	20218000001	Striker pin	1	5.4	1
17	44006000006	O-ring 6.9x1.8	1	1	1
18	20104000017	Screw plug	1	0.1	0.1
19	44007000014	Combined washer 20	1	2.4	2.4
20	44006000010	O-ring 8x2.65	1	1.3	1.3
21	41200000005	Nut M6	1	0.1	0.1
22	41104000004	Screw M6x25	1	2.5	0.6
23	21706000002	Tube shaft	1	2	1
24	41100000073	Screw M8x45	1	5.3	1.1
25	21222000017	Lever plate	1	8.1	5.3
26	44112000017	Dust seal DHS40-48-5/6.5	1	4	4
27	44006000059	O-ring 40x3.55	1	4	4

25	9.4	INC:1~40
1.9	0.03	
4	2	
2	0.6	
0.5	0.01	
0.7	0.02	
25	5	
0.5	0.01	
0.8	0.01	
1	0.01	
0.9	0.01	
1	0.01	
1.6	0.01	
0.4	0.01	
0.9	0.01	
1	6.01	
1	0.02	
0.2	0.01	
0.1	0.11	
0.2	0.01	
0.2	0.01	
0.1	0.01	
0.6	0.01	
1	0.01	
1.1	0.02	
3	0.15	
0.2	0.02	
0.2	0.1	

28	20526000010	Cap	1	2	2
29	44006000093	O-ring 67x3.55	1	7	7
30	44100000020	Seal ring UHS40-50-6	1	4	4
31	20308000260	Cylinder barrel	1	15	5
32	44006000068	O-ring 46.2x2.65	1	5.2	5.2
33	21605000088	Compression spring	1	15	1.5
34	21703000299	Stepped shaft	1	7.6	1.4
35	21810000151	Shaft sleeve	1	4	4
36	20310000002	Sleeve	1	7.4	3.6
37	21704000011	Pin	1	9.8	0.7
38	44115000003	Guide strip BST5806-6-2.5	2	5	5
39	N/A	N/A	0	5.08	5.08
40	21925000002	Permanent magnet	2	1	1

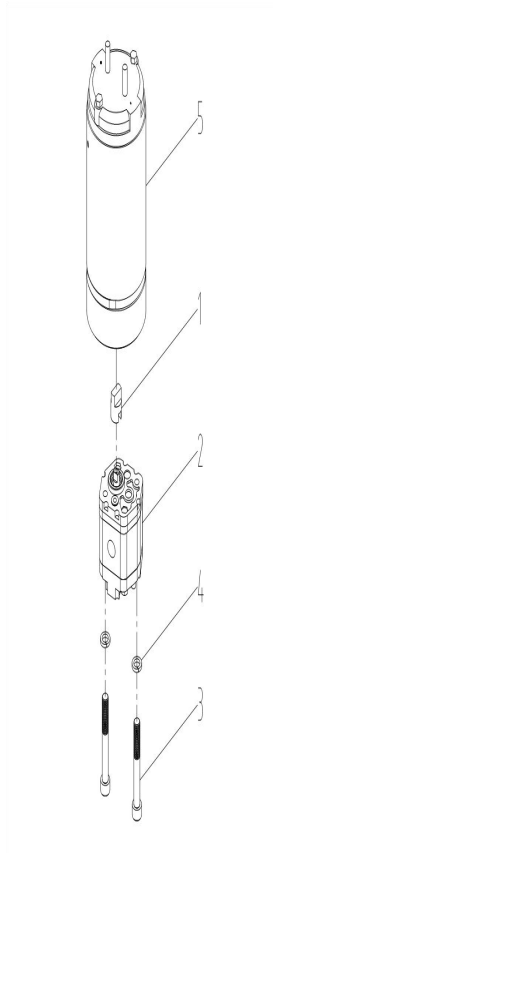
0.8	0.01	
0.2	0.1	
0.2	0.02	
5	1.5	
0.3	0.01	
1.5	0.1	
1.4	0.1	
2	0.1	
3.6	0.3	
0.7	0.03	
2.5	0.01	
5.08	0.1	
0.3	0.01	

Revision Date:

2025/7/15

Motor pump assembly (CBD15.02.01-00)

Index
No.:
See:
30218



No.	Part No.	Name	Qty	Length	Width	Height	Weight(kg)	Remark
-----	----------	------	-----	--------	-------	--------	------------	--------

A	30218000024	Motor pump assembly	1	24.7	12.8
1	21812000014	Coupling sleeve	1	1.9	1.2
2	39901000317	Gear pump	1	7.9	5.1
3	41100000034	Screw M5x70	2	7.6	0.8
4	41300000003	Washer 5	2	0.9	0.9
5	35205000048	DC motor	1	18.3	8.3

8.4	3.26	INC:1~5
1.2	0.01	
5.7	0.49	
0.8	0.01	
0.4	0.01	
8.3	2.58	

Revision Date:

2025/7/15

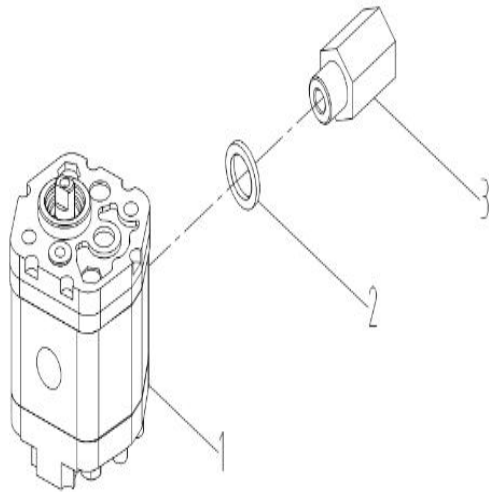
Gear pump (480.01.0004.01)

Index

No.:

See:

39901



No.	Part No.	Name	Qty	Length	Width	Height	Weight(kg)	Remark
-----	----------	------	-----	--------	-------	--------	------------	--------

A	39901000317	Gear pump	1	7.9	5.1
1	30218000023	Gear Pmup	1	7.9	5.7
2	44007000022	Combined washer G1/4	1	2.1	2.1
3	20313000087	Joint	1	2.2	1.9

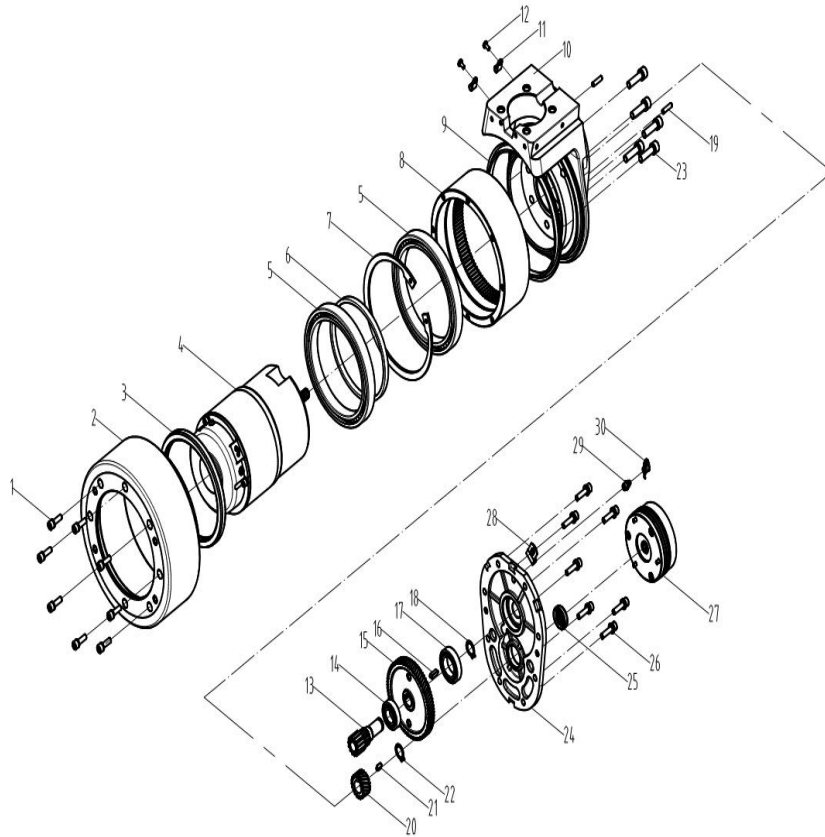
5.7	0.49	INC:1~3
5.1	0.49	
0.1	0.01	
1.8	0.02	

Revision Date:

2025/7/15

Underslung drive wheel assembly (082.01.0210.02)

Index
No.:
See:
30304



No.	Part No.	Name	Qty	Length	Width	Height	Weight(kg)	Remark
-----	----------	------	-----	--------	-------	--------	------------	--------

A	30304000013	Underslung drive wheel assembly	1	25	24.5
1	90010001579	Screw M6x20	8	3	1
2	90010001192	Wheel	1	21	21
3	90010001234	FB-type lip seal	1	6	6
4	90030000451	DC motor	1	23	13
5	43001000119	Bearing 61824-2RS	2	5	5
6	90010001235	Shaft sleeve	1	12	12
7	41304000038	Snap ring 150	1	15	15
8	90010001187	Bull gear	1	18	18
9	90010001580	FB-type lip seal	1	2	2
10	90010001236	Reduction gear housing	1	25	20
11	21006000008	Retaining clip	2	3	1.7
12	41134000004	Screw M4x8	2	1.1	0.7
13	90010001237	Countershaft	1	5	3
14	90010001582	Bearing 16003-ZZ	1	5	5
15	90010001238	Primary gear	1	8	8
16	42001000053	Parallel key Type A 5x5x18	1	1.8	0.5
17	90010001583	Bearing 6905-ZZ	1	5	5
18	41305000007	Snap ring 15	1	1.9	1.6
19	41400000006	Pin Type B 5x16	2	5	1.6
20	90010001239	Connecting gear	1	5	3
21	42001000005	Parallel key Type A 5x5x12	1	1	1
22	41305000008	Snap ring 16	1	0.2	0.2
23	90010001585	Screw M8x30	5	4	1
24	90010001240	Reduction gearbox cover	1	40	25
25	90010001241	FB-type lip seal	1	2	2
26	41134000050	Screw M6x25	8	3	1
27	90030000452	Electromagnetic brake	1	22.5	22

23	23.75	INC:1~30
1	0.01	
7.5	3.5	
0.2	0.04	
13	6.5	
5	0.03	
1	0.2	
1	0.02	
7	4	
0.2	0.02	
12	5	
1.6	0.01	
0.7	0.01	
3	0.1	
5	0.03	
1	0.4	
0.5	0.01	
5	0.03	
0.1	0.01	
1.6	0.01	
3	0.1	
1	0.01	
0.1	0.01	
1	0.01	
10	5	
0.2	0.02	
1	0.01	
12.5	1.3	

28	90010001422	Retaining clip	1	1.5	1.5
29	44001000003	Oil cup M8x1	1	1	1
30	90010001244	Dust plug	1	1	1

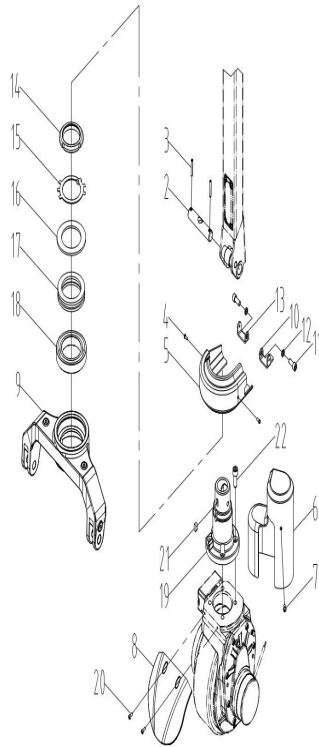
1	0.01	
1	0.01	
1	0.01	

Revision Date:

2025/7/15

Steering gear assembly
(053.02.0005.09)

Index
No.:



No.	Part No.	Name	Qty	Length	Width	Height	Weight(kg)	Remark
2	21702000232	Drilled pin shaft	1	6	1.2	1.2	0.05	
3	41402000022	Pin 5x32	2	3.2	0.5	0.5	0.01	

4	41108000014	Screw M4x10	2	1.4	0.9
5	20521000002	Cover	1	15.2	14.8
6	20521000003	Cover	1	19	16
7	41108000029	Screw M5x10	2	1.2	1
8	20511000002	Gland	1	15.6	14.2
9	21213000062	Support bracket	1	34.9	13.5
9	21213000084	Support bracket	1	34.9	13.5
10	22003001550	Right bent plate	1	4	3.5
11	41002000012	Bolt M8x20	2	2.5	1.5
12	41300000005	Washer 8	2	0.1	1.2
13	22003000022	Left bent plate	1	3.9	2.4
14	41212000001	Nut M60x2	1	7.9	7.9
15	41309000007	Washer 60	1	9.2	8.8
16	21809000062	Washer	1	9.5	9.5
17	43010000026	Bearing 51113	1	9.9	9.9
18	43001000084	Bearing 6013-2RS	1	10	10
19	21207000007	Base assembly	1	12.5	11
20	41100000007	Screw M4x10	2	0.1	0.1
21	42001000022	Parallel key Type A 8x7x14	1	1.4	0.8
22	41100000096	Screw M10x25	4	3.5	1.5

0.9	0.01	
5.9	0.09	
10	0.2	
1	0.01	
2.7	0.09	
12	4.44	
12	4.44	
2.4	0.03	
1.3	0.01	
0.2	0.01	
1.6	0.02	
1	0.16	
0.6	0.03	
0.3	0.11	
1.9	0.31	
1.8	0.41	
10	1.54	
0.1	0.01	
0.7	0.01	
1.5	0.02	

Revision Date:

2025/7/15

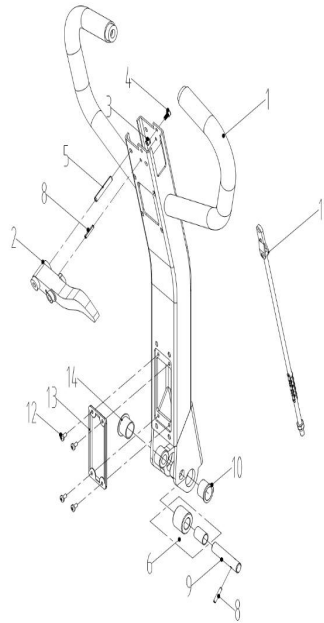
Handlebar assembly (056.02.0107.14)

Index

No.:

See:

30905



No.	Part No.	Name	Qty	Length	Width	Height	Weight(kg)	Remark
-----	----------	------	-----	--------	-------	--------	------------	--------

A	30905000163	Handle assembly	1	6	1.2
1	30909000006	Rubber handle grip	1	76	42
2	21405000004	Knob	1	15.5	4.5
3	41208000002	Nut M4	1	0.8	0.7
4	41100000005	Screw M4x8	1	1.2	0.7
5	41402000038	Pin 6x40	1	4	0.6
6	39902000640	Pressure roller assembly	1	2	2
7	N/A	N/A	0	5.08	5.08
8	41402000009	Pin 4X20	2	2	0.4
9	21702000013	Drilled pin shaft	1	6	1.2
10	43101000008	SF-1F-200.155 Self-lubricating bearing	1	3.2	3.2
11	30915000002	Pull rod assembly	1	34	2
12	41108000011	Screw M4x8	4	1.1	0.7
13	20517000012	Plastic cover	1	9.8	3.9
14	21808000185	Bushing	1	3.1	3.1

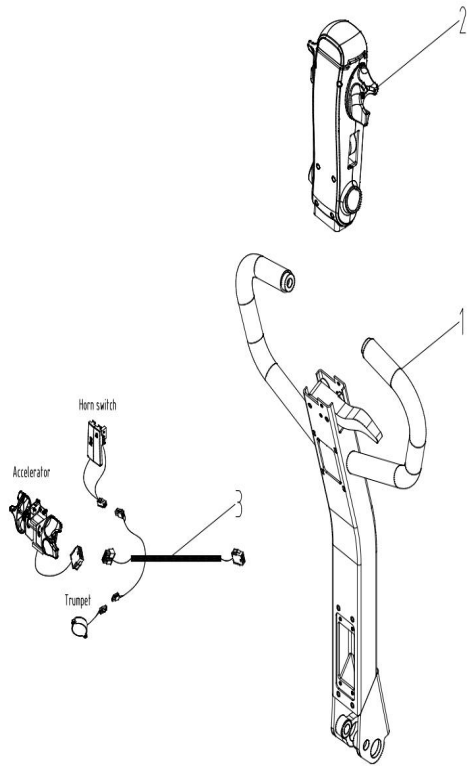
1.2	0.05	
7	3.16	
3.5	0.06	
0.4	0.01	
0.4	0.01	
0.6	0.01	
2	0.1	
5.08	0.1	
0.4	0.01	
1.2	0.05	
1.6	0.01	
0.5	0.01	
0.7	0.01	
2.7	0.01	
2.1	0.01	

Revision Date:

2025/7/21

Handle assembly

Index
No.:
See:
90010



No.	Part No.	Name	Qty	Length	Width	Height	Weight(kg)	Remark
-----	----------	------	-----	--------	-------	--------	------------	--------

A	90010000651	Handle assy	1	80	45
1	30905000163	Handle assembly	1	6	1.2
2	30910000030	Tiller head	1	32.4	16.9
3	35401000399	Control harness	1	18	12

9	5	INC:1~3
1.2	0.05	
9.2	0.92	
12	0.05	

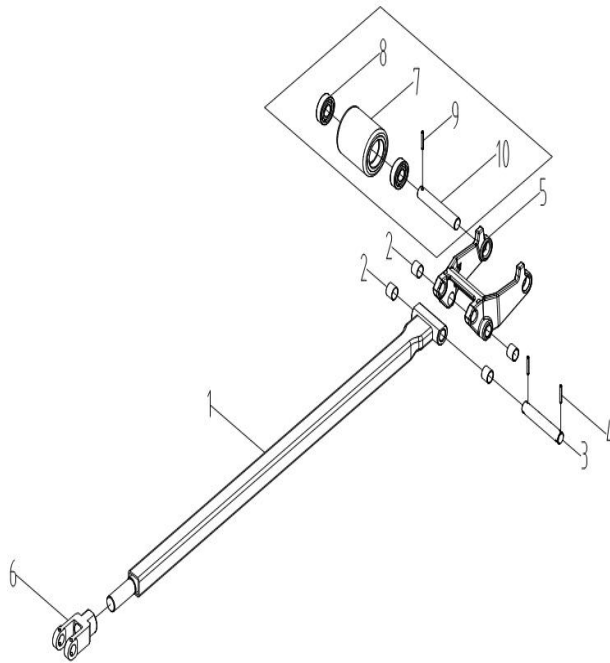
Revision Date:

2025/7/15

Connecting rod wheel carriage assembly
(CBD15.16-00)

Index
No.:

See:
31605



No.	Part No.	Name	Qty	Length	Width	Height	Weight(kg)	Remark
-----	----------	------	-----	--------	-------	--------	------------	--------

A	31605002125	Connecting rod and roller carriage assy	1	5.08	5.08
1	31603000135	Connecting rod assembly	1	96	8
2	43100000019	SF-1-16.20 Self-lubricating bearing	4	0.2	0.2
3	21702000023	Drilled pin shaft	1	10	1.5
4	41402000022	Pin 5x32	2	3.2	0.5
5	21306000023	Wheel carriage	1	18	13
6	21106000025	Coupler	1	9	4.2
7	21312000142	Wheel	1	9.4	7.4
8	43001000026	Bearing 6204-2RS-P6	2	4.7	4.7
9	41402000022	Pin 5x32	1	3.2	0.5
10	21702000059	Drilled pin shaft	1	12.2	2

5.08	0.1	INC:1~10
3.5	2.42	1220
0.2	0.01	
1.5	0.15	
0.5	0.01	
7.5	1.23	
2.8	0.26	
7.4	0.95	single wheel
1.4	0.1	single wheel
0.5	0.01	single wheel
2	0.29	single wheel